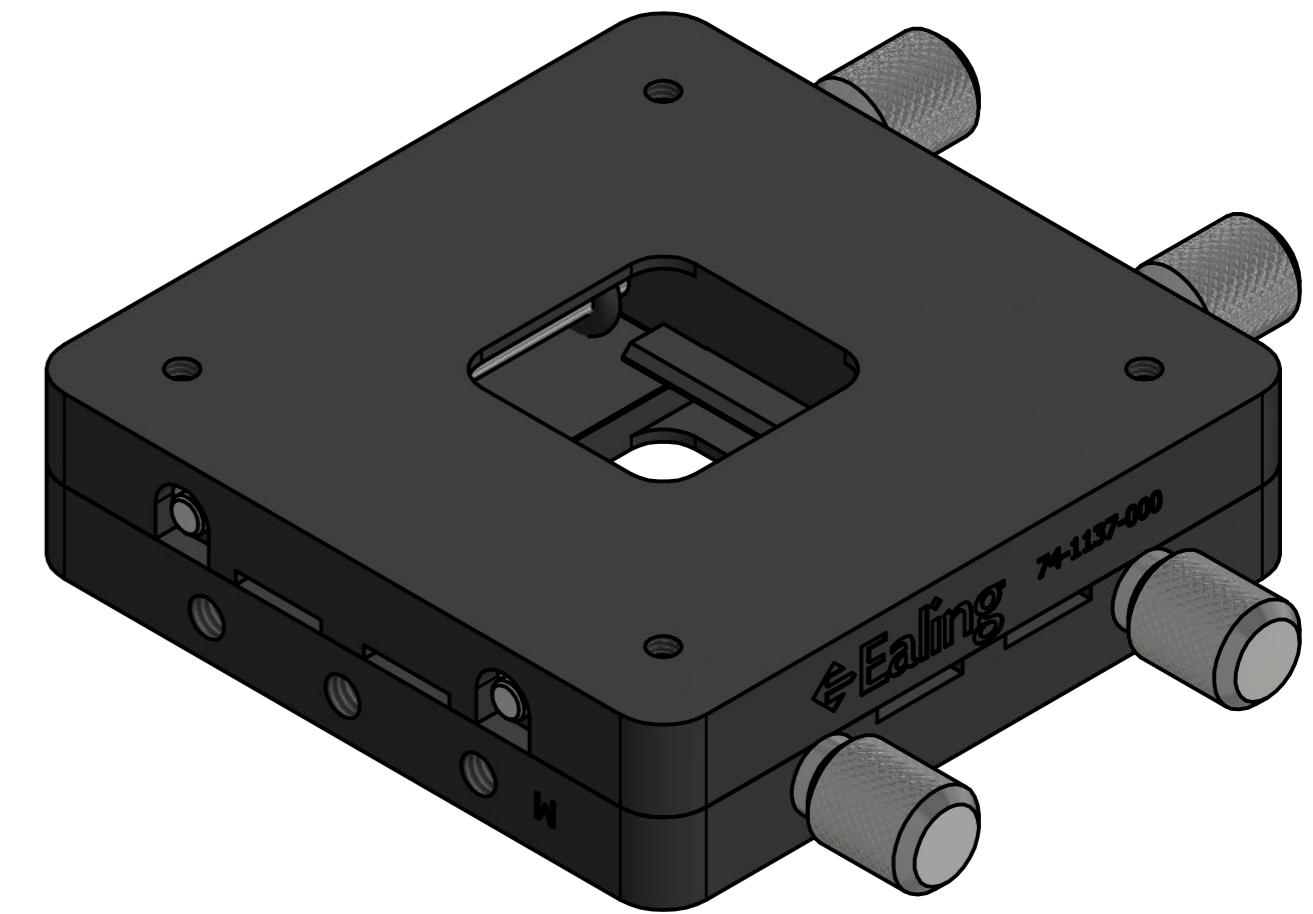
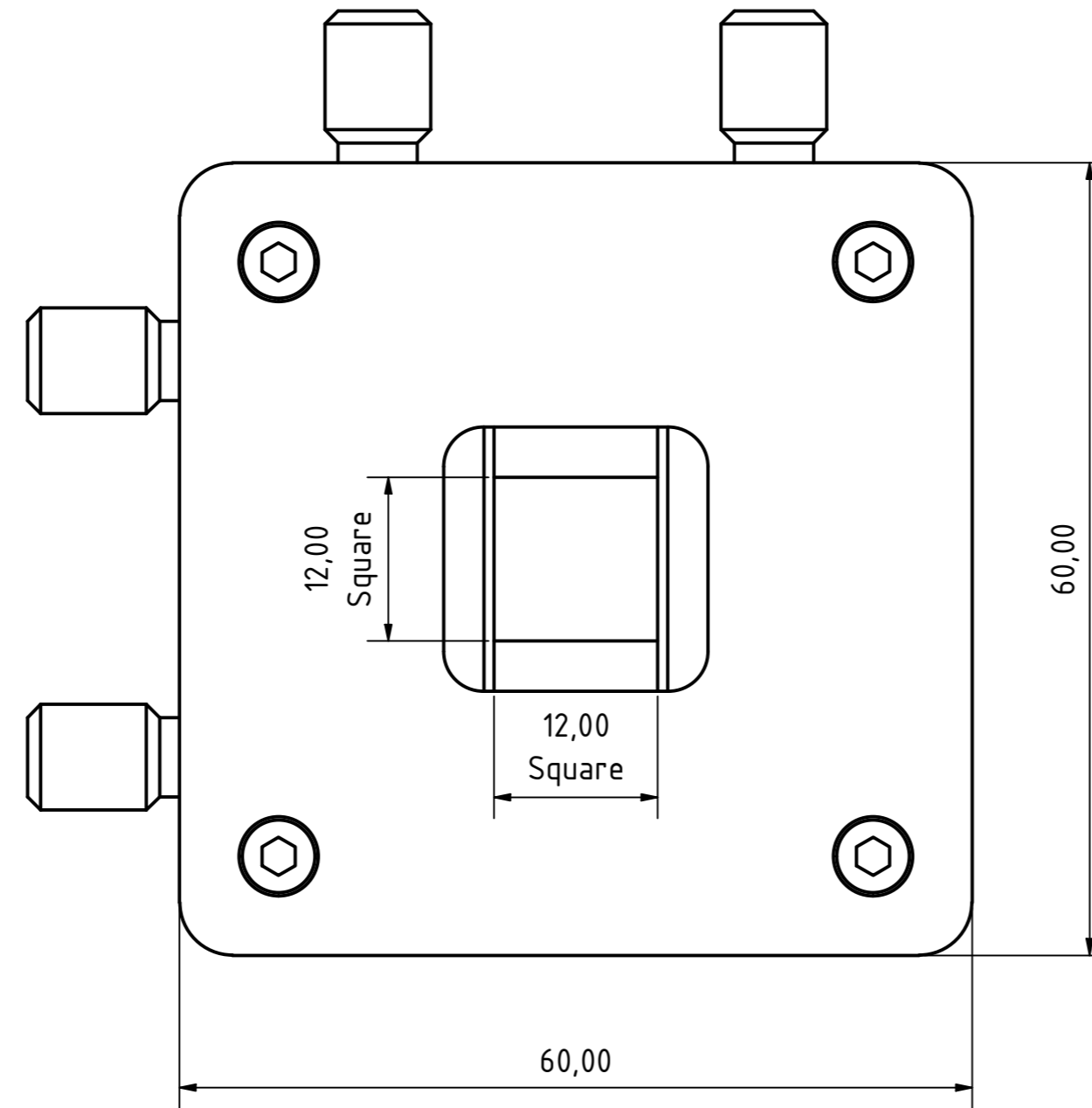
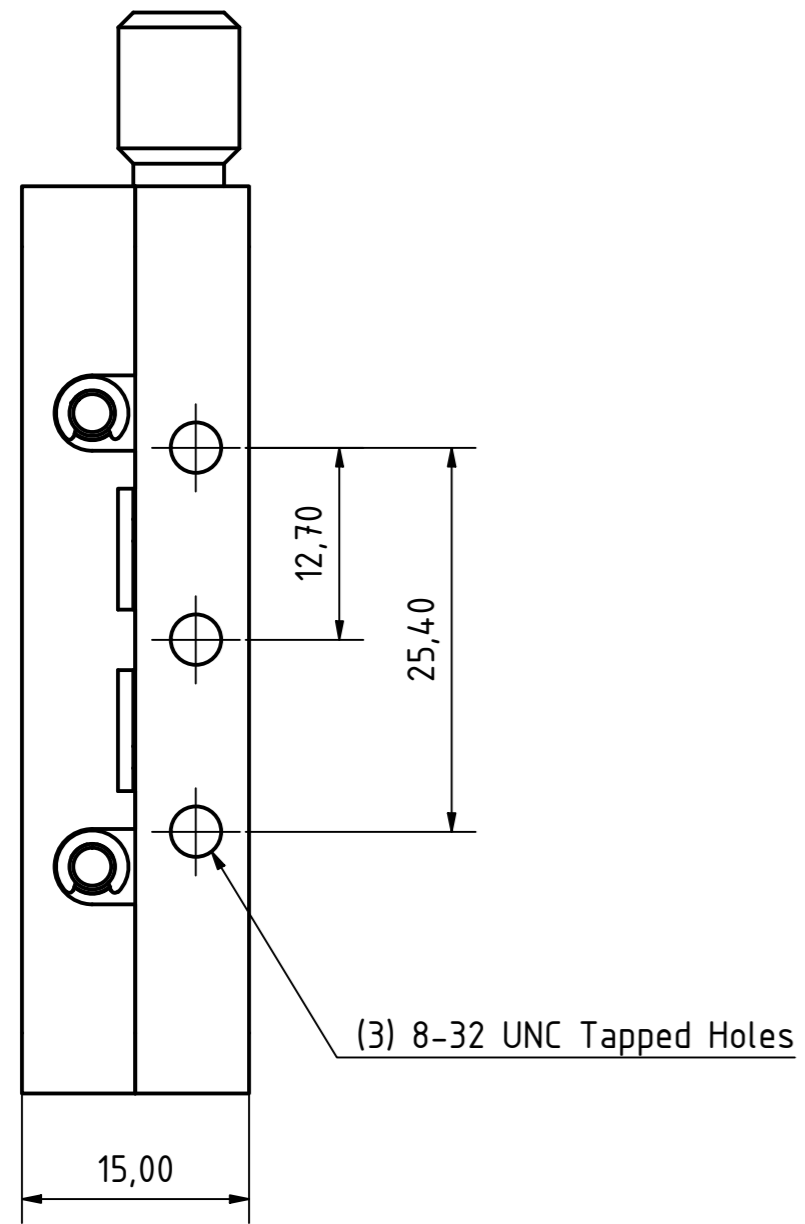
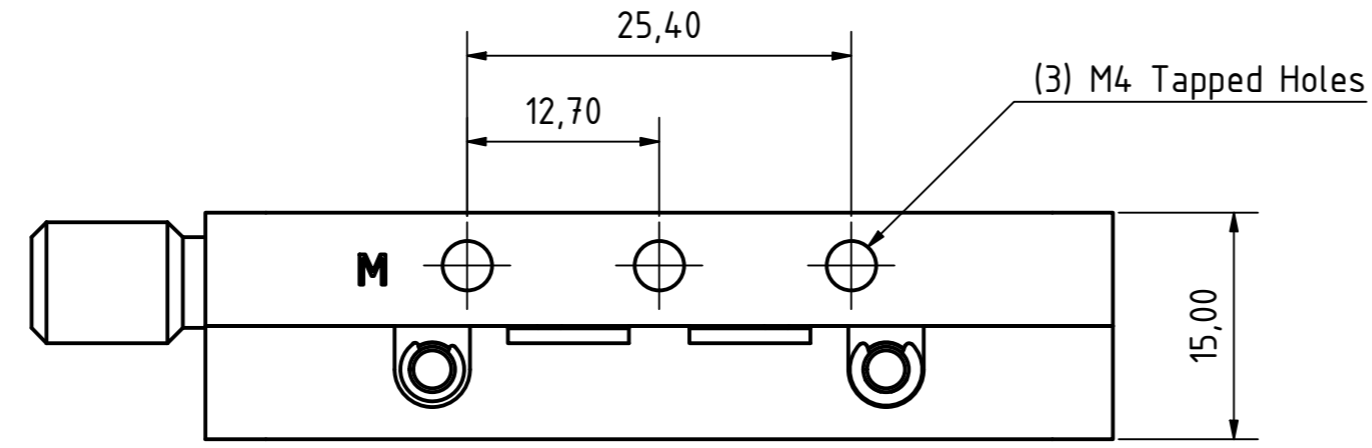


COPYRIGHT © 2019

HYLAND OPTICAL TECHNOLOGIES, INC.
340 EL PUEBLO ROAD, SUITE E
SCOTTS VALLEY, CA 95066



FOR INFORMATION ONLY, NOT FOR MANUFACTURING

Property of Hyland Optical Technologies Corporation For this drawing the regulations of copyright apply	TITLE Universal Rectangular Aperture
PART NO. 74-1137-000	DATE 18.07.2019